



High Head Pumps



An ISO - 9001-2000 Certified Co.

PUMP
ENGINEERING CO. PVT. LTD.



BPF SERIES HIGH HEAD MULTISTAGE PUMPS

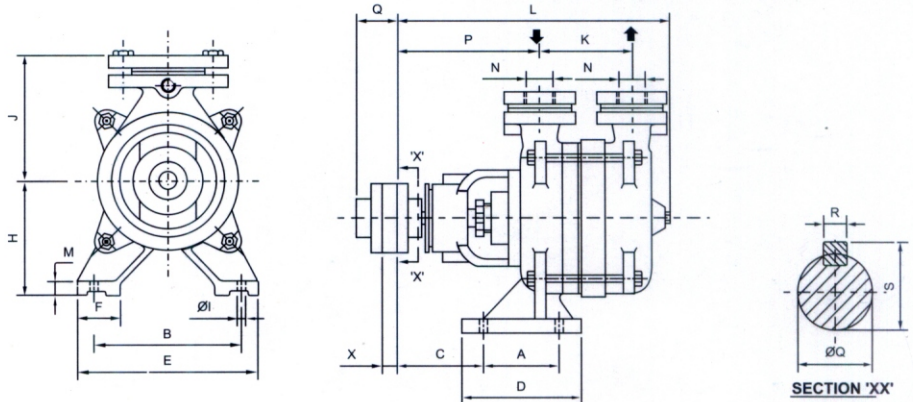
Standard Constructions :

- Pump Casing** : Close grained Cast Iron
- Impellers** : Manganese Bronze
- Shaft** : Stainless Steel (AISI-410)
- Bearings** : Ball bearing at driving end bush bearing at rear end.
- Gland Packings** : Graphited Asbestos Packings.
- Rotation** : Clockwise looking from driving end.

- PEC Self Priming High Head Multistage Pumps are suitable for CLEAR LIQUIDS only and are used for multipurpose like boiler feed service, high pressure testing, high head delivery, cooling service, Domestic service for supply of water from tank, reservoir, tubewell or any other source of supply.
- Maximum suction lift should not exceed 6 Mtrs. including frictional losses
- Motor B.H.P. recommended are with ample Margin for pumping clear cold water. For higher or lower specific gravity liquids horse power recommended should be increased or decreased accordingly.

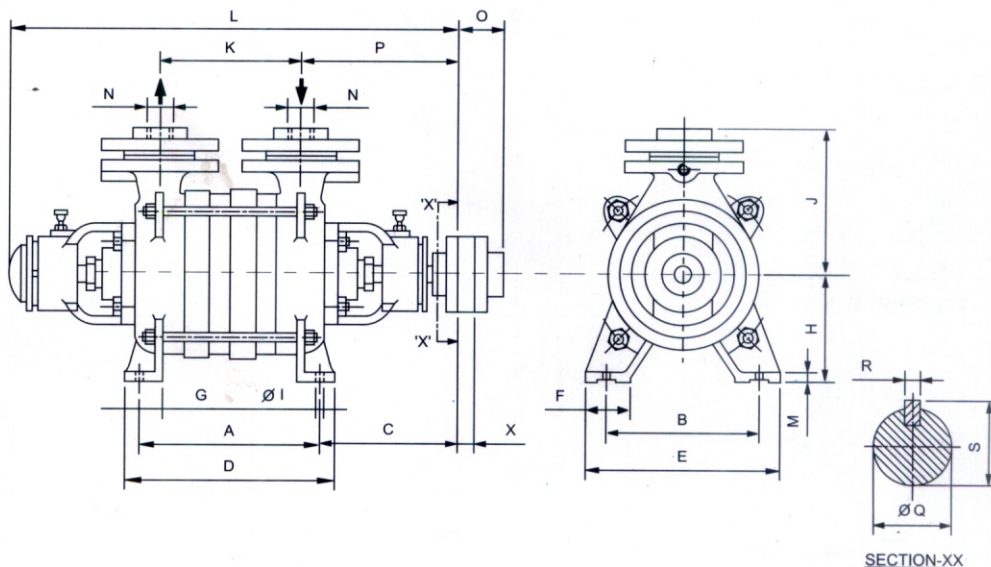
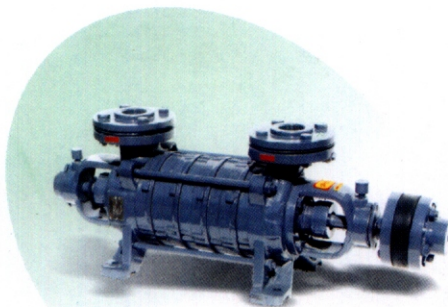
N.B. Pumps with Different material of construction and anti-clockwise ROTATION are also available

Sr. No.	Model	Stages	Size in mm.	OUTPUT IN LITRES PER MINUTE (L.P.M.) AGAINST TOTAL HEAD IN METRES (MET.)						
				LPM MET	15	20	25	30		
1	BPF - 101	1	25	LPM MET	10	15	20	25	30	
				H.P./Kw	28	23	17	13	6	
2	BPF - 102	2	25	LPM MET	10	15	20	25	30	
				H.P./Kw	48	40	32	21		
3	BPF - 103	3	25	LPM MET	10	15	20	25	30	
				H.P./Kw	60	52	42	30	13	
4	BPF - 104	4	25	LPM MET	10	15	20	25	30	
				H.P./Kw	75	65	52	40	30	
5	BPF - 111	1	25	LPM MET	26	32	36	41		
				H.P./Kw	20	16	13	10		
6	BPF - 112	2	25	LPM MET	26	32	36	41	47	
				H.P./Kw	40	32	26	20	12	
7	BPF - 113	3	25	LPM MET	26	32	36	41	47	
				H.P./Kw	60	48	40	30	20	
8	BPF - 114	4	25	LPM MET	26	32	36	41	47	
				H.P./Kw	80	64	52	40	24	
9	BPF - 121	1	31	LPM MET	30	40	50	60	70	80
				H.P./Kw	44	37	30	24	17	10
10	BPF - 122	2	31	LPM MET	30	40	50	60	70	80
				H.P./Kw	84	71	58	46	33	20
11	BPF - 123	3	31	LPM MET	28	40	50	60	80	
				H.P./Kw	104	89	74	60	30	
12	BPF - 124	4	31	LPM MET	23	40	60	75	77	
				H.P./Kw	145	116	78	48	45	



SR. NO.	MODEL	A	B	C	D	E	F	H	ØI	J	K	L	M	N	O	P	QQ ^{h6}	R	S	X
1	BPF-101	50	120	130	85	157	37	90	11	110	76	271	12	25	36	150	12	4	14	3
2	BPF-102	50	120	130	85	157	37	90	11	110	108	302	12	25	36	150	12	4	14	3
3	BPF-103	50	120	130	85	157	37	90	11	110	140	333	12	25	36	150	12	4	14	3
4	BPF-104	50	120	130	85	157	37	90	11	110	171	365	12	25	36	150	12	4	14	3
5	BPF-111	55	130	125	82	160	50	90	11	130	130	283	12	25	36	153	16	5	18.5	3
6	BPF-112	55	130	125	82	160	50	90	11	130	166	319	12	25	36	153	16	5	18.5	3
7	BPF-113	55	130	125	82	160	50	90	11	130	202	355	12	25	36	153	16	5	18.5	3
8	BPF-114	55	130	125	82	160	50	90	11	130	238	391	12	25	36	153	16	5	18.5	3
9	BPF-121	70	160	118	105	195	36	112	11	132	81	300	14	31	71	165	16	5	18.5	20
10	BPF-122	70	160	118	105	195	36	112	11	132	121	340	14	31	71	165	16	5	18.5	20
11	BPF-123	70	160	118	105	195	36	112	11	132	161	380	14	31	71	165	16	5	18.5	20
12	BPF-124	70	160	118	105	195	36	112	11	132	201	420	14	31	71	165	16	5	18.5	20

Sr. No.	Model	Stages	Size in mm.	OUTPUT IN LITRES PER MINUTE (L.P.M.) AGAINST TOTAL HEAD IN METRES (MET.)																	
				LPM MET	25	40	60	83													
13	BPF - 126 BLT	6	31	25	40	60	83														
				H.P./Kw	7.5/5.6		5/3.7	3/2.2													
14	BPF - 127 BLT	7	31	25	40	60	68	75													
				H.P./Kw	10/7.5		7.5/5.6	5/3.7													
15	BPF - 153	3	40	85	120	150	180	206													
				H.P./Kw	7.5/5.6			5/3.7													
16	BPF - 154 B	4	40	70	100	120	150	175	200												
				H.P./Kw	10/7.5			7.5/5.6	5/3.7												
17	BPF - 156 BLT	6	40	90	110	130	150	170	190												
				H.P./Kw	15/11.2			10/7.5	7.5/5.6												
18	BPF - 157 BLT	7	40	35	75	100	130	150	170	190											
				H.P./Kw	25.0/18.5	20/15.0		15/11.2	12.5/9.3	10/7.5											
19	BPF - 203 B	3	50	170	200	250	300	350	370												
				H.P./Kw	15/11.2		12.5/9.3	10.0/7.5													
20	BPF - 206 BLT	6	50	215	240	260	280	300	320	340											
				H.P./Kw	30/22.0		25/18.5		20/15.0												
21	BPF - 253 BLT	3	65	330	350	400	450	500	575												
				H.P./Kw	25/18.5		20/15.0		15/11.2												



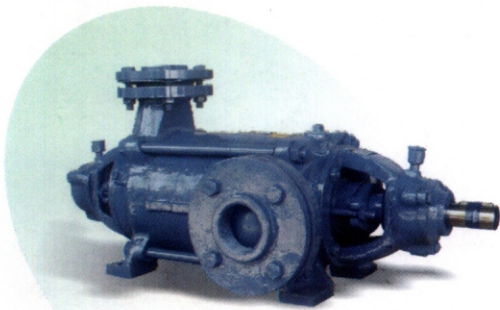
SR. NO.	MODEL	A	B	C	D	E	F	G	H	ØI	J	K	L	M	N	O	P	ØQ ^{h6}	R	S	X
13	BPF-126BLT	364	160	175	392	220	48	60	112	11	152	295	690	14	31	78	210	19	6	22	28
14	BPF-127BLT	404	160	175	432	220	48	60	112	11	152	335	730	14	31	78	210	19	6	22	28
15	BPF-153B	269	160	192	305	218	47	57	132	13	172	253	630	20	40	78	197	19	6	22	28
16	BPF-154B	324	160	192	360	218	47	57	132	13	172	303	685	20	40	78	197	19	6	22	28
17	BPF-156BLT	434	160	202	470	218	47	57	132	13	172	418	808	20	40	47	197	24	6	27	1
18	BPF-157BLT	490	160	202	526	218	47	57	132	13	172	473	863	20	40	47	197	24	6	27	1
19	BPF-203 B	338	160	204	374	220	50	58	152	13	176	315	720	20	50	47	217	24	6	25	1
20	BPF-206 BLT	563	160	204	599	220	50	58	152	13	176	540	945	20	50	47	217	24	6	25	1

Nomenclatures :

- Pump numbers without any suffixes are having single stuffing box, single bearing at driving & bush bearing at rear end.
- Suffixe B indicates bearing and stuffing box at both ends.
- Stuffix LT indicates stuffing box fitted with lantern ring and sealing water is provide by pipe. Accuracy within ± 10%.

As improvements are made from time to time the specifications in this brochure are subject to alteration without notice.

HIGH HEAD CENTRIFUGAN PUMPS



DESIGN:

Vertically split casing and intermediates, designed in multi-stage construction for high-head discharge. Horizontal type, having stages tied together with suction and discharge brackets by tie rods. PUMP feet are cast integral with suction and discharge brackets and arranged under the pump suction and discharge brackets.

APPLICATIONS :

Centrifugal High Head Multistage pumps are designed especially for Power stations and steel plants and other industries. Other services includes Sprinkler Irrigation. Fire fightings, process plants and general water works service, cooling water & hot water circulation.

ROTATION :

Clockwise looking from the drive end.

STANDARD CONSTRUCTION :

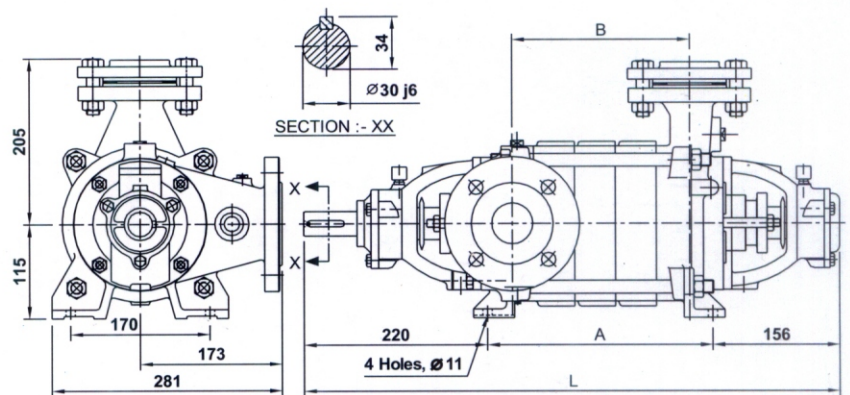
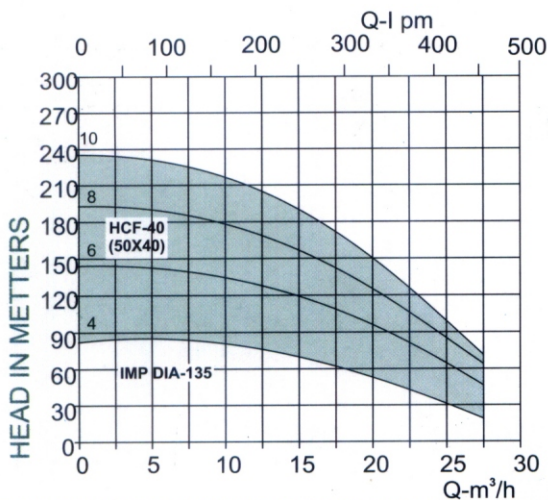
Casing : Cast Iron
Impeller : Cast Iron

Shaft. : En-8
Gland Packing : Graphited Asbestos

Drive End Bearing : Ball Bearing
Driven End Bearing : Ball Bearing

PERFORMANCE DATA											
Model No.	No. Of Stage	Suc. & Del. (mm.)	RPM	HEAD MOTOR	DISCHARGE (M ³ /Hr) / LPM						
					5 83	10 156	15 250	20 333	25 416	27.5 460	Recommended Motor H.P.
HCF-40/4	4	50 X 40	2900		96	88	80	64	40	30	10.0
HCF-40/5	5	50 X 40	2900		120	110	100	80	50	38	10.0
HCF-40/6	6	50 X 40	2900		144	132	120	96	60	46	12.5
HCF-40/7	7	50 X 40	2900		168	154	140	112	70	52	15.0
HCF-40/8	8	50 X 40	2900		192	176	160	126	80	60	20.0
HCF-40/9	9	50 X 40	2900		216	198	180	144	90	68	20.0
HCF-40/10	10	50 X 40	2900		240	220	200	160	100	76	25.0

As improvements are made from time to time the specifications in this brochure are subject to alteration without notice.



ALL DIMENSIONS IN mm.

Sr. No.	Model	Suc & Del	A ⊕	B ⊕	L ⊕	⊕ ADD
1	HCF-40/4	50 X 40	280	215	756	PER STAGE - 50

Rev. 01/31.12.06



An ISO - 9001 Certified Co.

PUMP ENGINEERING CO. PVT. LTD.

C-38/39, G.I.D.C. Estate, Nr. Odhav Fire Station, Odhav, Ahmedabad-382 415.

Tele : +91-79-22870321, 22871257 ■ Fax : +91-79-22874375

E-mail: pumpengg@thepumpsofindia.com ■ www.thepumpsofindia.com