

MULTI PURPOSE
ROTARY GEAR
PUMPS



Pumps for
Oil and Viscous
Liquids



MMX SERIES

- Small & Robust Design
- Highly Economical
- Capacity upto 350 LPM Max.
- Threaded Suc. & del.



MINI MAX
GEAR POWER

Common
of MMX & M

SALIENT FEATURES

- Rugged sturdy design.
- Higher volumetric efficiency.
- Simplicity in design.
- Low moment of inertia and friction losses.
- Silent operation.

SPECIFICATION

- Pressure upto 10 Kg/cm² max.
- Temperature upto 170°F max.
- Standard MOC:
 - Casing: Cast Iron
 - Gears and Shafts: Alloy Steel
 - Bushes: Bronze Self Lubricated Type
 - Gland Packing: Graphited Asbestos.
- Pumps are with built in adjustable pressure relief valve.
- Direction of rotation- clock wise looking from drive side. Pressure relief valve design facilitate's easy changeover of direction of rotation.

VARIATION AVAILABLE

- MOC available like SS-316, 304, CI/SS and WCB to meet specified application on request.
- Pump with base plate, coupling and motor, with gear box and other accessories are also available on request.
- Pump with mechanical seal are also available.

Performance Table - MMX at 1450 RPM

Based on liquids having 400 SSU Viscosity and 170°F Temperature

Pump Model No.	Suct. & Del. MM	Capacity LPM	PRESSURE IN Kg/Cm ²												Wt. in Kgs.	
			2	6	10											
MMX - 1A	15X15	10	2	6	10											2.5
MMX - 2A	15X15	20		2	5	8	10									3.0
MMX - 3A	20X20	35			2	6	8	10								4.0
MMX - 4A	25X25	50			2	4	6	8	10							7.0
MMX - 5A	31X31	75					2	5	7	10						3.5
MMX - 6A	40X40	120						2	3	6	10					9.0
MMX - 7A	50X50	225								2	6	9	10			17.5
MMX - 8A	65X65	350									2	4	6	9	10	26.0
MOTOR REQUIRED HP/KW			1/4	1/3	1/2	3/4	1.0	1.5	2.0	3.0	5.0	7.5	10	12.5	15	
			0.18	0.25	0.37	0.55	0.75	1.1	1.5	2.2	3.7	5.5	7.5	9.3	11	

Features

PG series

MPG

SERIES

DOES AND DON'TS

- Don't operate the pump with liquid containing abrasives or corrosive liquids or liquid having poor viscosity
- Please refer to our works:
 - * For liquid temperature above 170°F
 - * Liquids having viscosity greater than 400 SSU
 - * Sizes larger than illustrated & specific applications
- Please quote pump size and serial no while ordering spares

Typical Liquid List

- | | | |
|---------------------|----------------------|---------------|
| • Acids and Ammonia | • Paints and Varnish | • Crude Oil |
| • Bleaches | • Fruit Juices | • Liquor |
| • Coal Tar | • Glycerine | • Liquid Soap |
| • Bitumen | • Hot Grease | • Starch |
| • Molasses | • Silicate | • Dyes |
| • Oils of all kinds | • Vinegar | |

Applications

- Oil Burning /dispensing
- Lubrication Systems
- Oil Circulation
- Food And Beverages
- Oil Transfer,loading,unloading
- Refineries And Petro Chemical Industries
- Chemical Industries

- **Back Pullout Flanged Design**
- **Economics of value rather than price**
- **Prolonged Life**
- **Capacity upto 2000 LPM Max.**
- **Viscosity: upto 100,000 SSU**
- **Flanges as per BS 10 Table D**
- **Jacketed gland cooling arrangement as an option available.**

Performance Table - MPG at 1450 RPM

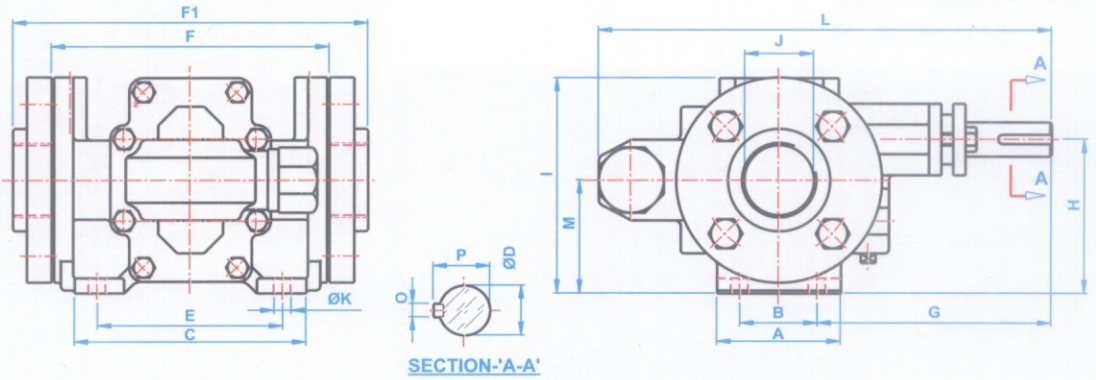
Based on liquids having 400 SSU Viscosity and 170°F Temperature

Pump Model No.	Suct. & Del. MM	Capacity LPM													Wt. in Kgs.	
			4	6	8	10										
MPG-4NA	25x25	35	4	6	8	10										8.5
MPG-6NA	25x25	54	2	4	6	8	10									9.0
MPG-8NA	31X31	90			2	4	6	8	10							12.0
MPG-10NA	40x40	120			2	3	6	10								15.5
MPG-12NA	50x50	225					2	4	6	8	10					23.5
MPG-15NA	65x65	290						2	4	6	8	10				27.5
MPG-16NA	65x65	350							2	4	8	10				30.0
MPG-17NA	80x80	450							2	6	7	8	10			44.0
MPG-18NA	80x80	560								2	4	5	6			49.5
MPG-19NA	100x100	675								2	3	4	6			55.0
MPG-20	100X100	900									2	4				171
MPG-21*	150X150	2000												2	4	223
MOTOR REQUIRED:- HP/KW			0.75	1.0	1.5	2.0	3.0	5.0	7.5	10.0	12.5	15.0	20.0	30	60	
			0.55	0.75	1.1	1.5	2.2	3.7	5.5	7.5	9.3	11	15	22	45	

* Rated @ 960 RPM

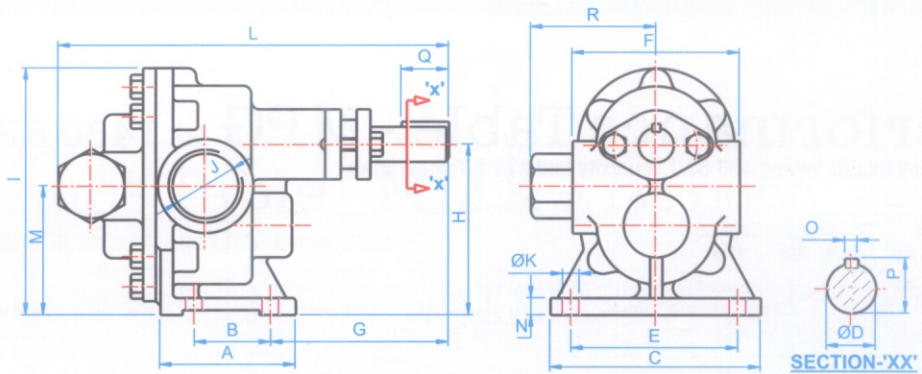


MPG SERIES



Sr #	Model	A	B	C	D Ø	E	F	F1	G	H	I	J S & D	K Ø	L	M	O	P
1	MPG-4NA	58	35	114	19 ^{js}	90	158	201	105	90	127	25	9	216	70	5	21
2	MPG-6NA	58	35	114	19 ^{js}	90	158	201	112	90	127	25	9	232	70	5	21
3	MPG-8NA	78	50	135	22 ^{js}	105	160	207	139	100	139	32	9	277	78	6	24.5
4	MPG-10NA	80	50	150	24 ^{js}	120	180	230	152	100	140	40	11	294	74	6	26.5
5	MPG-12NA	95	60	185	28 ^{js}	145	230	284	169	132	180	50	14	335	99	8	31
6	MPG-15NA	95	60	185	28 ^{js}	145	230	285	180	132	181.5	65	14	355	99	8	31
7	MPG-16NA	95	60	185	28 ^{js}	145	230	285	188	132	181.5	65	14	372	99	8	31
8	MPG-17NA	135	90	230	38 ^{ks}	185	270	325	225	160	217	80	17.5	438	122	10	41
9	MPG-18NA	135	90	230	38 ^{ks}	185	270	325	240	160	217	80	17.5	468	122	10	41
10	MPG-19NA	135	90	230	38 ^{ks}	185	270	338	251	160	230	100	17.5	490	122	10	41
11	MPG-20	155	115	230	40 ^{ks}	185	335	399	396	250	340	100	17.5	668	193	10	45
12	MPG-21	242	190	315	48 ^{ks}	276	495	583	275	305	780	150	19	509	225	16	56

MMX SERIES



Sr #	Model	A	B	C	D Ø	E	F	G	H	I	J S & D	K Ø	L	M	N	O	P	Q	R
1	MMX-1A	38	-	102	15 ^{js}	80	80	92	71	104	15	11	165	55	10	5	17	25	64
2	MMX-2A	38	-	102	15 ^{js}	80	80	99	71	104	15	11	178	55	10	5	17	25	64
3	MMX-3A	40	-	114	19 ^{js}	90	90	115	80	119	20	11	197	60	10	5	21	25	64
4	MMX-4A	55	-	142	22 ^{js}	110	102	126	90	135	25	11	229	68	12	6	24.5	30	84
5	MMX-5A	55	-	142	22 ^{js}	110	110	146	90	135	32	11	250	68	12	6	24.5	30	84
6	MMX-6A	88	50	140	24 ^{js}	110	110	119	112	162	40	11	263	86	12	6	26.5	30	82
7	MMX-7A	101	55	192	28 ^{js}	155	145	146	112	195	50	13	333	79	12	8	31	40	100
8	MMX-8A	113	60	200	38 ^{ks}	160	160	187	132	217	65	13	410	94	15	10	41	50	113



Regd. & Corporate Office:

PUMP ENGG. CO. PVT. LTD.

C-38/39, G.I.D.C Estate, Near Fire Station, Odhav, Ahmedabad-382 415, Gujarat, INDIA

Phone: +91 79 22871257, 22870321, 329011647 • Fax: +91 79 22874375

E-mail : pumpengg@thepumpsofindia.com

Web site : www.thepumpsofindia.com